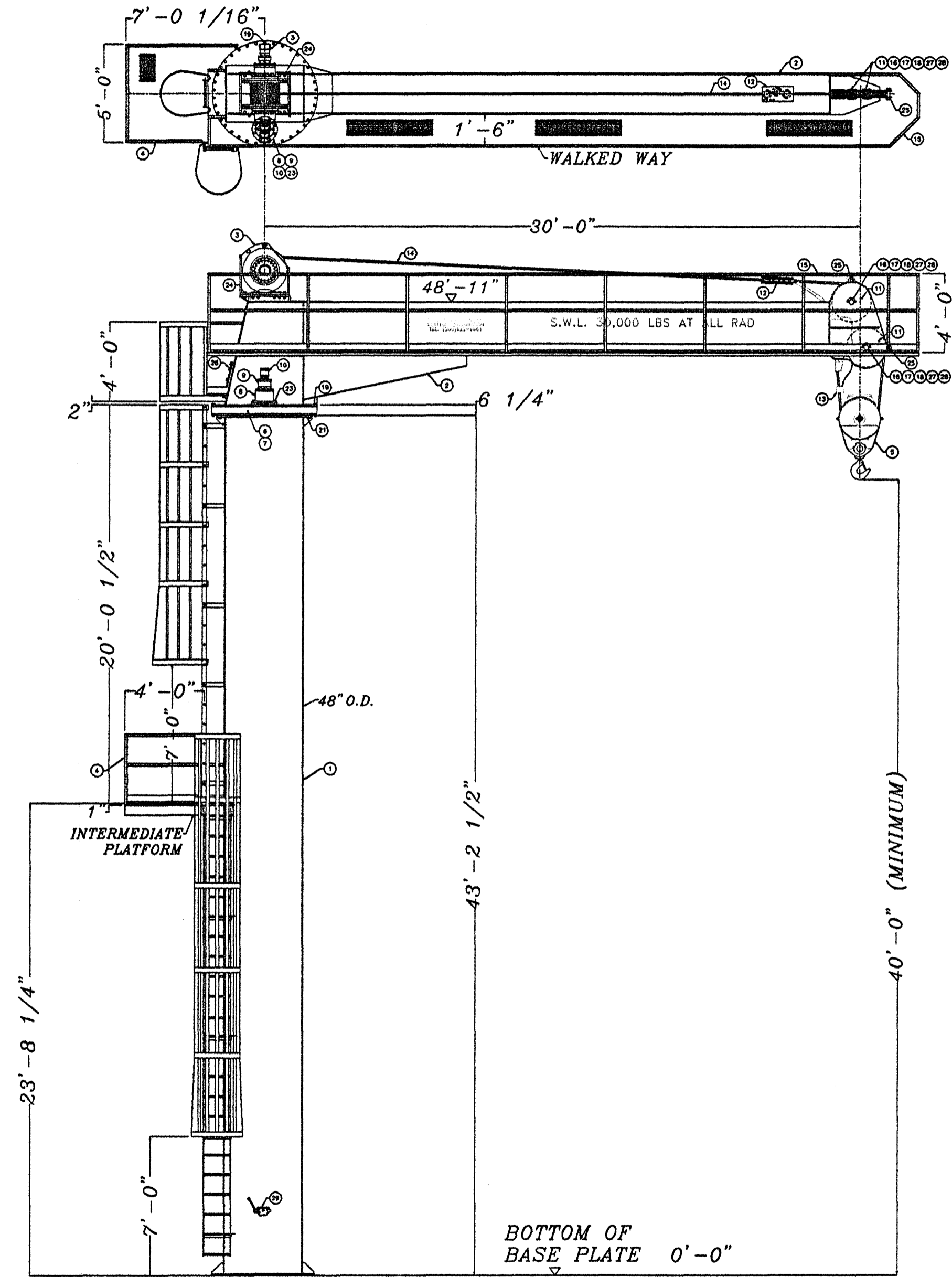


30 FT. STRAIGHT BOOM CRANE  
 MODEL: 30SNC30000  
 PORT OF PORT ORFORD

SPECIFICATIONS

TYPE :	STRAIGHT BOOM
MODEL :	30SNC30000
MAXIMUM REACH :	30 FT.
CAPACITY @ ALL RADIUS :	30,000 LBS
HEIGHT FROM CONCRETE DECK TO SAFE	
OPERATING HEIGHT OF HOOK :	40 FT.
HOOK LIFT :	70 FT.
SLEW SPEED BOTH DIRECTIONS :	VARIABLE WITH 1 RPM MAX.
SLEW DRIVE :	HEAVY DUTY
SLEW ANGLE :	365 DEGREES
LOAD MONITORING INDICATOR :	INCLUDED
ANTI-TWO BLOCK DEVICE :	INCLUDED
HINGE PINS :	STAINLESS STEEL
WINCH :	INCLUDED
HOOK SPEED UNDER FULL LOAD :	VARIABLE, 0 TO 75 FPM
CONTROL VALVES :	INCLUDED
MAIN BOOM MATERIAL :	ASTM 514 B, $S_y = 100,000$ PSI (MIN.)
API-MONOGRAM :	INCLUDED
PAINT :	DEVOE: PRIMER - 302
	INTERMEDIATE COAT - 235
	TOP COAT : 229



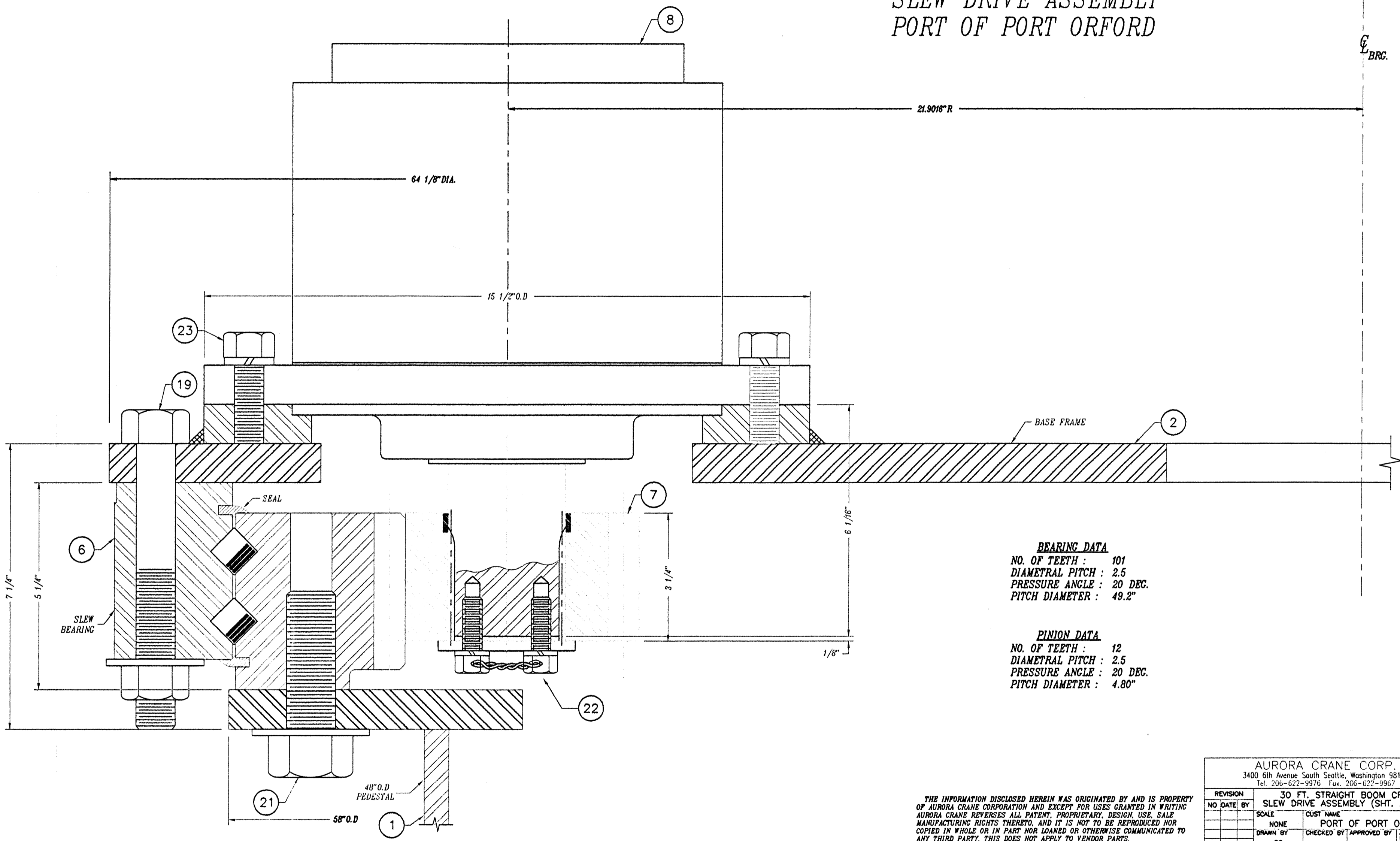
THE INFORMATION DISCLOSED HEREIN WAS ORIGINATED BY AND IS PROPERTY OF AURORA CRANE CORPORATION AND EXCEPT FOR USES GRANTED IN WRITING AURORA CRANE RESERVES ALL PATENT, PROPRIETARY, DESIGN, USE, SALE MANUFACTURING RIGHTS THEREIN, AND IT IS NOT TO BE REPRODUCED NOR COPIED IN WHOLE OR IN PART NOR LOANED OR OTHERWISE COMMUNICATED TO ANY THIRD PARTY. THIS DOES NOT APPLY TO VENDOR PARTS. ACCEPTANCE OF THIS DRAWING WILL BE CONSTRUED AS AN AGREEMENT TO THE ABOVE STIPULATION.

AURORA CRANE CORP. 3400 6th Avenue South Seattle, Washington 98134 Tel. 206-622-9976 Fax. 206-622-9967			
REVISION NO	DATE	BY	30 FT. STRAIGHT BOOM CRANE MODEL : 30SNC30000 (SHT. 1 OF 3)
			SCALE NONE CUST NAME PORT OF PORT ORFORD
			DRAWN BY CO CHECKED BY APPROVED BY JOB NO 99110
			DATE 02-06-00 DRAWING NUMBER D-9911001

09911001

# 30 FT. STRAIGHT BOOM CRANE SLEW DRIVE ASSEMBLY PORT OF PORT ORFORD

C  
BRC.



**BEARING DATA**  
 NO. OF TEETH : 101  
 DIAMETRAL PITCH : 2.5  
 PRESSURE ANGLE : 20 DEG.  
 PITCH DIAMETER : 49.2"

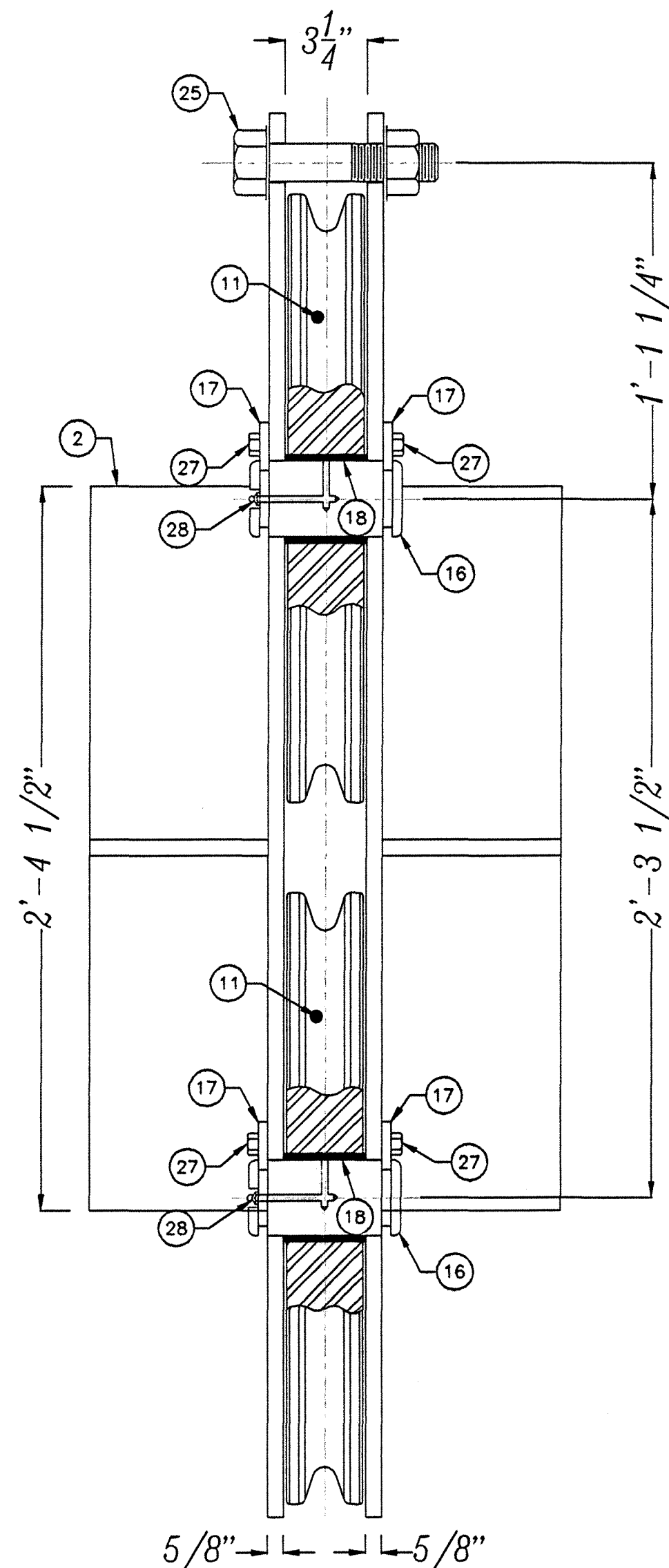
**PINION DATA**  
 NO. OF TEETH : 12  
 DIAMETRAL PITCH : 2.5  
 PRESSURE ANGLE : 20 DEG.  
 PITCH DIAMETER : 4.80"

THE INFORMATION DISCLOSED HEREIN WAS ORIGINATED BY AND IS PROPERTY OF AURORA CRANE CORPORATION AND EXCEPT FOR USES GRANTED IN WRITING AURORA CRANE REVERSES ALL PATENT, PROPRIETARY, DESIGN, USE, SALE MANUFACTURING RIGHTS THERETO, AND IT IS NOT TO BE REPRODUCED NOR COPIED IN WHOLE OR IN PART NOR LOANED OR OTHERWISE COMMUNICATED TO ANY THIRD PARTY. THIS DOES NOT APPLY TO VENDOR PARTS. ACCEPTANCE OF THIS DRAWING WILL BE CONSTRUED AS AN AGREEMENT TO THE ABOVE STIPULATION.

AURORA CRANE CORP. 3400 6th Avenue South Seattle, Washington 98134 Tel. 206-622-9976 Fax. 206-622-9967	
REVISION NO. DATE BY	30 FT. STRAIGHT BOOM CRANE SLEW DRIVE ASSEMBLY (SHT. 2 OF 3)
SCALE	CUST. NAME
NONE	PORT OF PORT ORFORD
DRAWN BY	CHECKED BY / APPROVED BY
CO	JOB NO. 99110
DATE	DRAWING NUMBER
01-13-00	D-9911002



06911002



SECTION A-A

30 FT. STRAIGHT BOOM CRANE  
 MODEL : 30SNC30000  
 PORT OF PORT ORFORD

ASSEMBLY BILL				
ITM.	QTY.	DESCRIPTIONS	PART NO.	REMARKS
1	1	PEDESTAL	D-9911004	
2	1	BOOM	D-9911005	
3	1	HYDRAULIC WINCH	D-9911006	
4	1	INTER. PLATFORM & SAFETY CAGE	D-9911015	
5	1	LOAD BLOCK	D-9911009	
6	1	BEARING	D-9911001- 6	
7	1	PINION	D-9911001- 7	
8	1	GEARBOX	D-9911001- 8	
9	1	HYDRAULIC BRAKE	D-9911001- 9	
10	1	HYDRAULIC MOTOR	D-9911001- 10	
11	2	SHEAVE	D-9911014	NYLOTRON
12	1	LOAD CELL	D-9911001- 12	
13	1	ANTI TWO-BLOCK DEVICE	D-9911001- 13	
14	1	WIRE ROPE ASSEMBLY	D-9911001- 14	
15	1	WALKED WAY	D-9911037	
16	2	SHEAVE PIN	D-9911001- 16	S.S.
17	4	KEEPER PLATE	D-9911001- 17	
18	2	BRONZE BUSHING	D-9911001- 18	
19	36	BOLT 1-8 X 7" LG.	D-9911020-19	GR.8, W/NUT
20				
21	30	BOLT 1 1/4-7 X 3" LG.	D-9911020-21	GR. 8
22	2	BOLT 1/2-20 X 1" LG.	D-9911020-22	GR. 8
23	10	BOLT 3/4-10 X 2" LG.	D-9911020-23	S.S.
24	12	BOLT 1-8 X 3 1/2" LG.	D-9911020-24	GR.8, W/NUT
25	2	BOLT 1-8 X 6" LG.	D-9911020-25	GR.8, W/NUT
26	8	BOLT 5/8-11 X 1" LG.	D-9911020-26	S.S.
27	12	BOLT 1/2-13 X 1" LG.	D-9911020-27	S.S.
28	2	GREASE FITTING	D-9911020-28	S.S.
29	1	CONTROL VALVE	D-9911020-29	

Handwritten signature: *Dail [unclear]*  
 2-11-00  
 CORPORATE

THE INFORMATION DISCLOSED HEREIN WAS ORIGINATED BY AND IS PROPERTY OF AURORA CRANE CORPORATION AND EXCEPT FOR USES GRANTED IN WRITING AURORA CRANE RESERVES ALL PATENT, PROPRIETARY, DESIGN, USE, SALE, MANUFACTURING RIGHTS THEREON, AND IT IS NOT TO BE REPRODUCED NOR COPIED IN WHOLE OR IN PART NOR LOANED OR OTHERWISE COMMUNICATED TO ANY THIRD PARTY. THIS DOES NOT APPLY TO VENDOR PARTS. ACCEPTANCE OF THIS DRAWING WILL BE CONSTRUED AS AN AGREEMENT TO THE ABOVE STIPULATION.

AURORA CRANE CORP. 3400 6th Avenue South Seattle, Washington 98134 Tel. 206-622-9976 Fax. 206-622-9967			
REVISION		30 FT. STRAIGHT BOOM CRANE	
NO	DATE	BY	MODEL: 30SNC30000 (SHT. 3 OF 3)
			SCALE: NONE
			CUST NAME: PORT OF PORT ORFORD
			DRAWN BY: [unclear]
			CHECKED BY: [unclear]
			APPROVED BY: [unclear]
			CO: [unclear]
			DATE: 02-08-00
			DRAWING NUMBER: D-9911003

D9911003



© 2016 RANDALL J. SCHOLTEN















SWL 25 TONS

HOIST  
SHACK

DO NOT  
LEAVE  
CRAB RINGS  
UNATTENDED

LIFE RING

CTR

3

CAUTION



FRIENDSHIP

FRIENDSHIP

LIFE JACKETS  
MUST BE WORN  
WHEN HOISTING

